

SeaNet SCU V5 Surface Control Unit

Features

- Single & multiple sensor communication
- Rugged construction
- 19" rack mountable
- SVGA/XGA/SXGA & PAL/NTSC Output
- 4 USB ports - 2 front and 2 rear

Applications

- Tritech Obstacle Avoidance Sonar control
- Tritech Survey sensor control
- All SeaKing sensors & third party equipment control



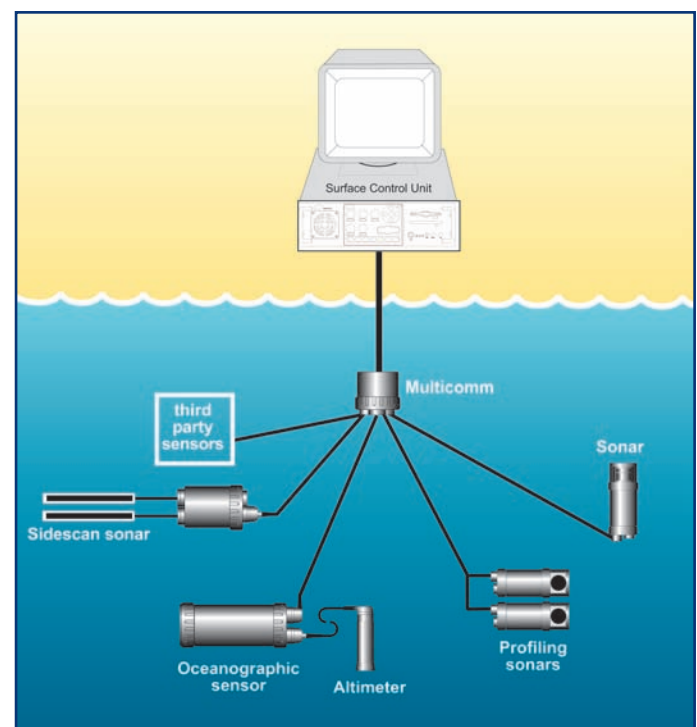
The highly successful SCU V4 processor has been upgraded to provide the latest performance capabilities available from PC technology.

The SeaNet SCU V5 has been designed to provide everything that Tritech customers have requested in a new state of the art surface control unit. To ensure the SeaNet SCU provides a reliable, rugged and easy to install replacement for the SCU V4, it has been designed as a robust 19" rack mount unit with floated shock mount sub assemblies for maximum reliability.

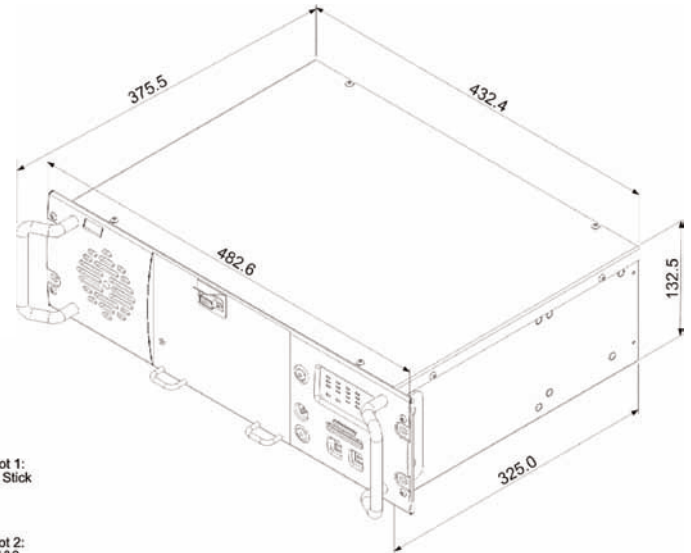
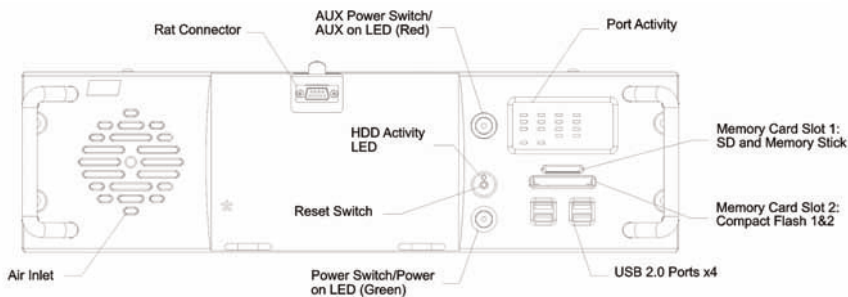
A high-speed 156kBits/sec communication system is used within the SeaNet SCU, allowing a full suite of Tritech sensors to be operated over a single twisted pair or, by utilising the Tritech MultiComm, over a RS232/Fibre-Optic interface. Each device connected to the SeaNet SCU runs, in real time, in its own onscreen window. The monitor display may be varied to show single or multiple windows and this can be altered at any time during normal operations. This multiple sensor capability provides obvious cost benefits as well as reducing the space requirement for consoles in the control room.

The SeaNet SCU is a multi-tasking control unit running under an embedded Microsoft Windows XP operating system installed on solid-state Flash disk. Fitted with a 'LAN card' the SeaNet SCU provides easy access to data storage and data transfer.

The SeaNet SCU retains the use of the industry favourite Remote Access Terminal (RAT) as used on the SCU V4. This RAT provides full control of the SeaNet SCU and its ergonomically designed layout ensures that all functions are well placed and easy to use. The built in mini-joystick on the RAT provides a useful tool for carrying out range and bearing measurements on sonar data. If preferred the RAT may be detached from the SeaNet SCU processor allowing it to be operated from a more desirable location.



Specifications



Processor	Intel™ Dual Core (or better)
Operating System	Microsoft Windows XP Embedded
Primary Control	PS/2 Remote Access Terminal (RAT)
Video Output (1)	SVGA, XGA or SXGA
Video Output (2)	Composite PAL/NTSC
ArcNet Link	1 x 156kbit/sec (1500m) or 78kbit/sec (2500m)
Storage Media	1.5GB (or greater) D: Flash Drive
Interface Ports	4 x 9-pin Ports (configurable RS-232, RS-485, RS-422, ArcNet)
	1 x Keyboard (PS/2)
	1 x Mouse (PS/2)
	1 x Parallel Port (Centronics)
	1 x 24VDC @ 36VA Output (for equipment test purposes)
	4 x USB 2.0 port
	1 x Ethernet (10/100 Base-T)
	1 x Audio Mic In, Line In, Line Out
Input Voltage	Universal 100-240VAC 50/60Hz, Nominal 250W
Weight (incl. RAT)	10.8kg
Material	Aluminium, Stainless Steel
Operating Temperature	0 to 40 deg C
Storage Temperature	-20 to 50 deg C
Options	Composite Video Input
	Barometric Pressure Sensor
	Internal HDD

All specifications are subject to change in line with Tritech's policy of continual product development.

Ref: EDS-CAI-001.7